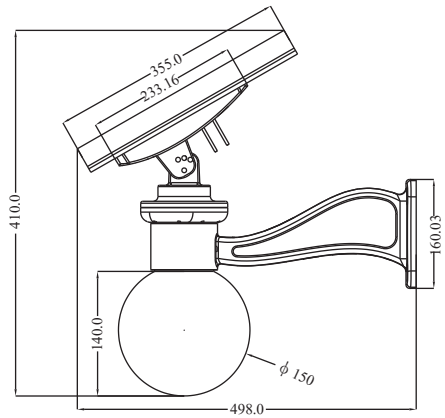
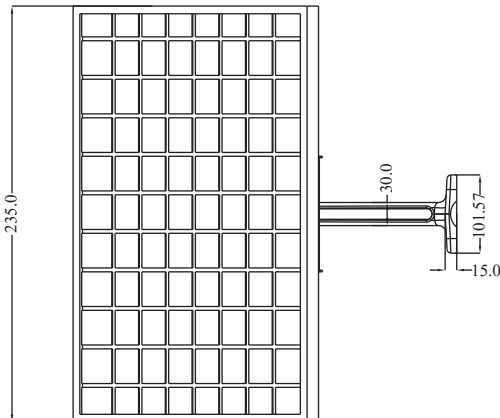
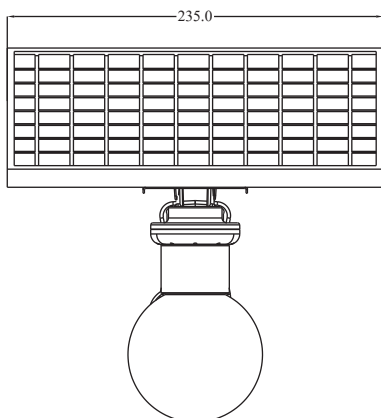


SOLAR MOON LIGHT SPECIFICATIONS

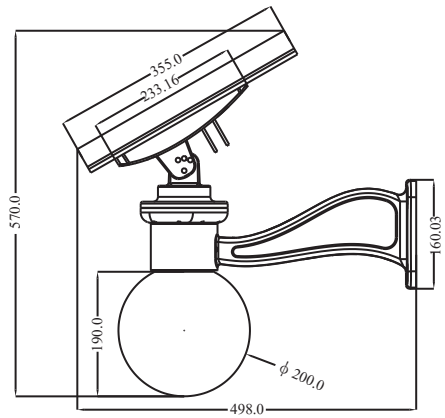
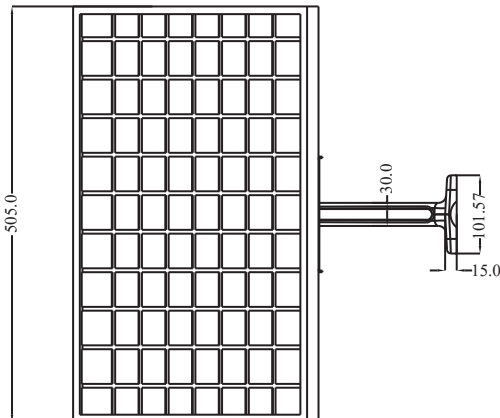
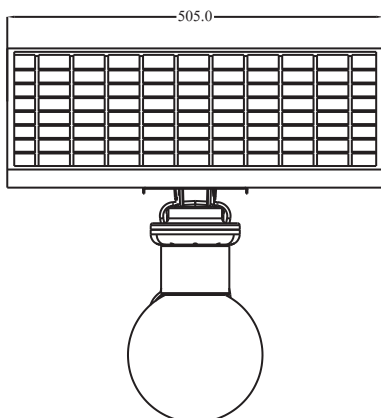
Model No	BS-ML-6	BS-ML-9	BS-ML-12
LED Power	6W	9W	12W
Solar Panel	12W/5V	25W/5V	40W/5V
Lithium Battery Capacity	10AH/3.2V	20AH/3.2V	30AH/3.2V
LED Qty	6PCS	9PCS	12PCS
Luminous	600-720LM	1200-1440LM	1500-1800LM
LED Chip Brand	Bridgelux	Bridgelux	Bridgelux
Control mode	light control / time control / timeµwave control / microwave control		
Color Temperature	3000-6500K		
CRI	75RA		
Light Control Voltage	1V		
Illumination(stand by)	30%		
Lighting Last	20s		
Sensor Area	<10meters		
Charge Time	6-8h direct sunshine		
Discharge Time	36h		
Continuous Rainy Days	4-5days		
Working Temperature	-20°C - 60°C		
Lifetime	50000h		
Material	Solar Panel	Mono crystalline	
Mounting Height	3-6meters		
Installation Spacing	8-10meters		
Certifications	CE ROHS FCC IP65		
Warranty	3years		
Applications	Rural & Farm & Village, Street & Road & Path, Residential & Community & Public areas, Garden & Parks & Villa & Courtyard, Parking lot & hotel, Square & School, Desert &Prairie, also for Camping, Orchard, Night Fishing.		

The data of its working time was measured at latitude 22 °,113 ° east longitude in sunny days.
The working time will be affected by the surroundings.

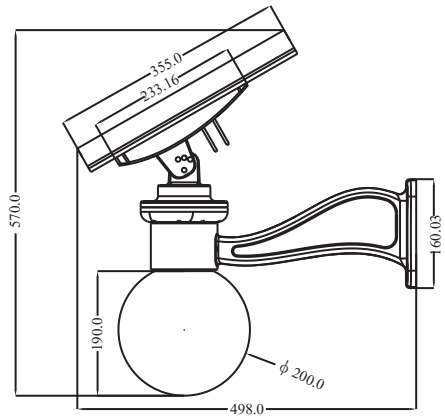
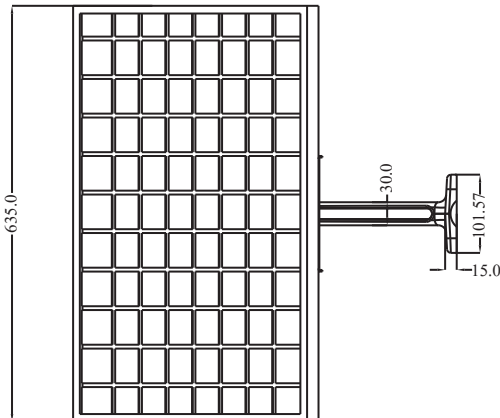
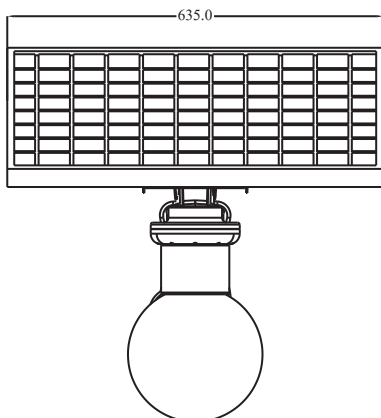
Moon light dimension:



BS-ML-6 dimension



BS-ML-9 dimension



BS-ML-12 dimension

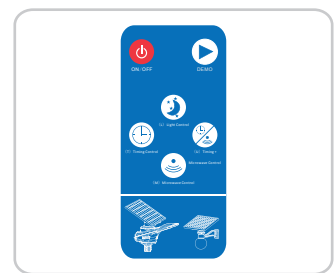
Two lamps in one box:

Model No	Q'TY/CTN	(L*W*H) Per Ctn	(CBM)	Net Weight	Gross Weight	Express Weight	Air Weight	20GP	40GP	40HQ
BS-ML-6	2/1	430*340*300mm	0.05	6.5 kg	7.5 kg	9 kg	7.5 kg	520pcs	1120pcs	1320pcs
BS-ML-9	2/1	560*420*410mm	0.1	9.5 kg	11.5 kg	20 kg	16 kg	260pcs	560pcs	660pcs
BS-ML-12	2/1	660*420*410mm	0.12	13 kg	15 kg	23 kg	19 kg	217pcs	467pcs	550pcs

Color box packaged. Anti-shock packaging material, with bubble bags and foam, ensure transport safety.



List of accessories:



Component	Quantity	Function
M6x20 screws	4sets	Fix the solar panel
6mm Allen key	1pc	Fix M6x20 screws
Anchor ear	2pcs	Fix the light body
Open spanner	1pc	Fix the anchor ear
Remote control	1pc	Control the working mode
User manual	1pc	Direct customers to use products